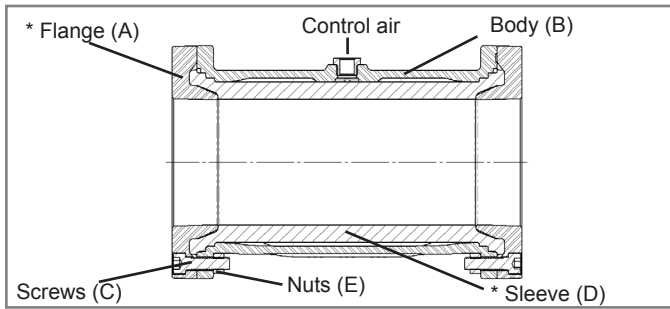


# Assembly Instruction for AKO Pinch Valves VT Series DN100, semi-silo trailer connection



## Removing the old sleeve

Loose bolts (C), take off flanges (A).  
Pull out old sleeve (D) by using a pipe wrench.  
If helpful, lubricate AKO mounting paste (MP200/MPL200) between rubber (D) and internal body (B) surface.

Clean all valve parts and inspect for wear.

## Installation of the new sleeve

**Pic. 1:** Lubricate following parts with AKO mounting paste (MP200/MPL200)

- inside and outside surfaces of sleeve (D),
- cones of flanges (A) and
- inside surface of body (B).

**Note:** Do not use any grease or oily paste!

For pinch valves that are used in food or pharmaceutical industries, please use exclusively AKO mounting paste MPL200.

**Pic. 2:** Push sleeve (D) into body (B) until it is centred.

**Pic. 3:** Position a flange (A) on the body using two mounting bolts and nuts; tighten each in turn until there is no more clearance between the flange cone and sleeve end. Mount the second flange (A) in the same way as the first flange (A); (but tighten the bolts until slight pressure is applied to the sleeve (D)).

**Pic. 4:** Push mounting pipe into the valve (5/6 length of the sleeve). Put 3 bar air through the air inlet to pressurize the sleeve.

**Pic. 5:** Use a spanner and push the sleeve behind the cone from the flange (A). Tighten mounting bolts (30Nm) from second flange (A). Release control air from body (B). Mount the second counter flange (A) as described above. Make sure all four mounting bolts have been securely tightened.

**Pic. 6:** Insert 2 standard bolts (C) per flange side (A) into the other two holes and tighten.

**Pic. 7:** Release control air from body (B) and remove mounting pipe. Then replace the mounting bolts on each flange side (A) with standard bolts (C) and tighten.

**Pic. 8: Functional test:** When closing the pinch valve for the first time, a control pressure of 3bar must be applied to enable the sleeve to close fully, showing a lip-shaped form in the sleeve. In case the sleeve fold triangular, please put a suitable piece of wood with the small part facing to the air inlet, similar to the mounting of pinch valves V+VF DN100-DN250 (pic. 8).

Please repeat this procedure four times with maximum 3bar closing pressure.

## \* Replacement-/Maintenance parts:

Flange (A), Screws (C), Sleeve (D), Nuts (E)

## Assembly tool:

AKO mounting set (W100) consists of:  
mounting paste, mounting pipe, mounting wood, assembling screws, nuts and bolts.

Technical details subject to change without notice.



pic. 1



pic. 2



pic. 3



pic. 4



Bild 5



pic. 6



pic. 7



pic. 8

**CAUTION: DO NOT USE ANY SHARP TOOLS DURING ASSEMBLY, IT MAY DAMAGE VALVE PARTS!**

 <http://www.pinch-valve.com/en/products/air-operated-pinch-valves/with-semi-silo-trailer-connection.html>

**AKO UK Ltd.**

12 Rutherford Way, Drayton Fields Industrial Estate, Daventry, NN11 8XW, Great Britain

Tel: 0 13 27 31 27 47 • Fax: 0 13 27 31 25 65 • E-mail: sales@ako-valves.com • Web: www.pinch-valves.com