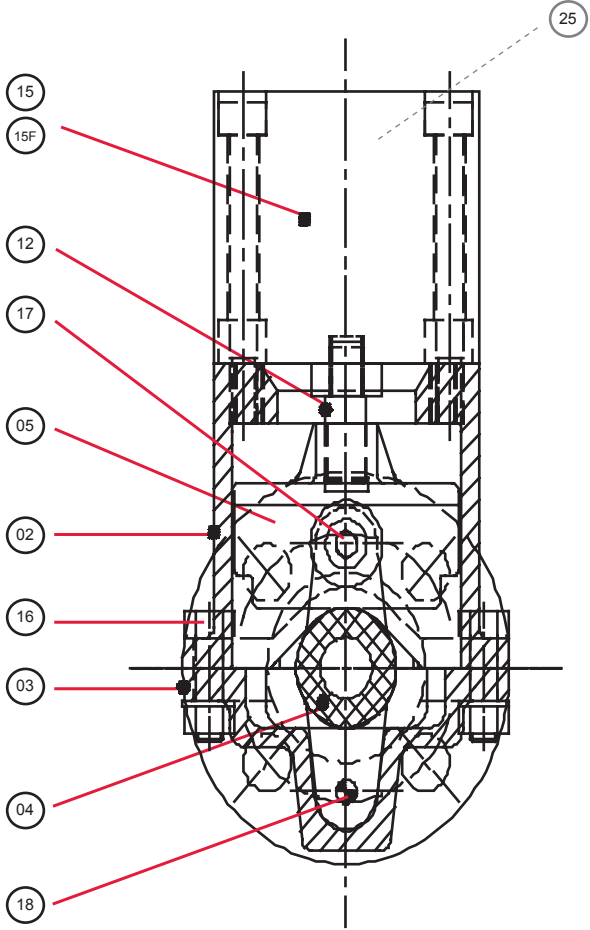


Mechanical Pinch Valve, OV series

Typ / type P-PA with one pneumatic cylinder

Code	Description	Quantity DN 15-50
02	upper body half	1
03	lower body half	1
04	sleeve	1
05	sleeve compressor	1
12	adaption pin	1
15	cylinder doble acting	1
15F	cylinder single acting (spring closed)	1
16	body screw	4
17	sleeve fixing screw	2
18	lower sleeve fixing screw	1
25	set of seal for cylinder	1



diameter type P+PA:
DN 15 - 50

