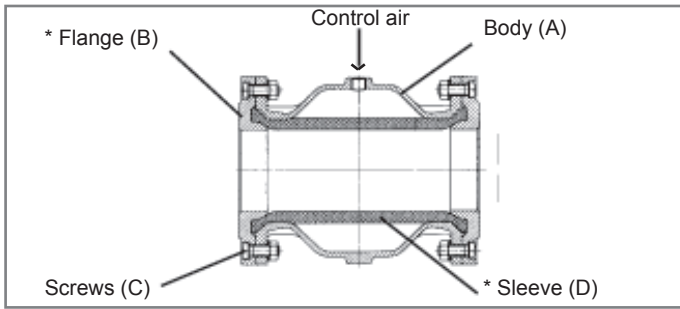


# Assembly Instruction for AKO Pinch Valve Series V+VF DN 40 to 80 mm



## Removing the old sleeve

Loose bolts (C), take off flanges (B). Pull out old sleeve (D) by using a pipe wrench.  
In case it is too hard, please use AKO mounting paste (MP200) in-between sleeve and body.

## Installation of the new sleeve

**Picture 1:** Spread inside surfaces of sleeve (D) and cones of flanges (B) using AKO mounting paste (MP200).

**Caution:** Do not use any grease or oily paste!

**Picture 2:** Push sleeve (D) into body (A) until it is centred.  
In case it is too hard, please use AKO mounting paste (MP200).

**Picture 3:** Push flange cone (B) into the sleeve (D) and fix it with bolt (C), washer and nut.

**Picture 4:** Push opposite side of flange (B) into sleeve (D) and tighten second bolt (C), washer and nut approx. five threads.

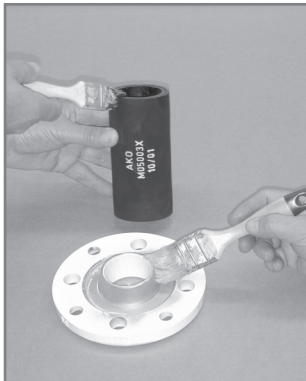
**Picture 5:** Turn the valve by 180°. Assemble second flange (B) as described in picture 3+4..

**Picture 6:** Tighten remaining bolts (approx. 30Nm) in counter clockwise order.

**Picture 7:** Alternatively assembly: tighten valve under a mechanical press until flanges are directly onto body flange surface. Tighten bolts (approx. 30Nm).

In case the sleeve fold triangular, please put a suitable piece of wood with the small part facing to the air inlet, similar to the mounting of pinch valves V+VF DN100-DN250 (picture 8). Please repeat this procedure four times with maximum 3bar closing pressure.

\* Replacement-/Maintenance parts:  
Sleeve (D) and flanges (B).



Picture 1



Picture 2



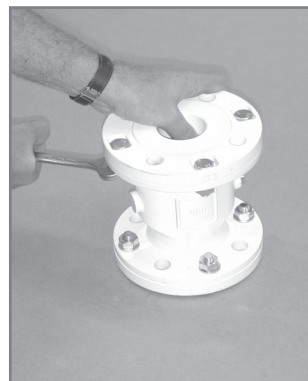
Picture 3



Picture 4



Picture 5



Picture 6



Picture 7

Technical details subject to change without notice.

**AKO UK Ltd**

12 Rutherford Way, Drayton Fields Industrial Estate, Daventry, Northamptonshire, NN11 8XW  
Tel: 01327 312 747 • Fax: 01327 312 565 • E-mail: sales@ako-valves.com • Web: www.pinch-valves.com