

Air operated Pinch Valves

Type VMP-Compact



DN010 - DN015



DN020 - DN025



DN032 - DN050

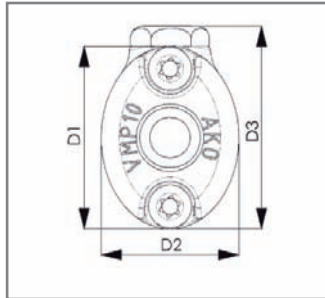
 **Reliable and cost-effective!**

**The compact valve solution for the shut off.
For example dust, granule, powder, suspension, sewage, air venting etc.**

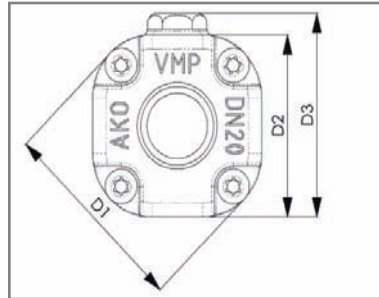
Advantages:

- Extremely compact
- Weight reduced by 25%
- Suitable for food applications
- Explosion protected design
- Excellent weather resistance
- Complete free passage
- No plugging
- 100% tight shut off
- Easy maintenance and re-sleeving

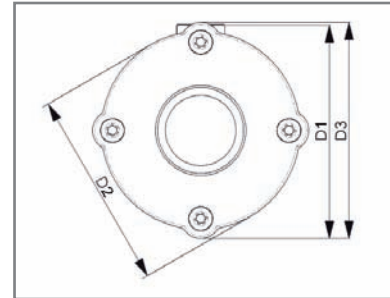
Air operated Pinch Valves with Internal Thread Connection



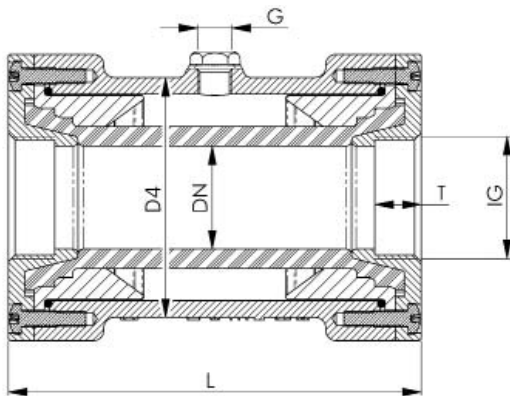
DN10 - DN15



DN20 - DN25



DN32 - DN50



Industrial areas:

- pneumatic conveying systems
- pigments and granules
- ceramics / glass / plastic industry
- pharmaceutical / food industry
- extraction systems
- dosing systems
- filling and weighing systems
- air venting systems

DN (mm)	IG (inch)	T (mm)	L (mm)	D1 (mm)	D2 (mm)	D3 (mm)	D4 (mm)	G (inch)	PS max. (bar)	screws	volume (ml)* (approx.)	weight** (kg)
10	G $\frac{3}{8}$ "	12	80	45	34	50	45	1/8"	6,0	4	15	0,15
15	G $\frac{1}{2}$ "	14	95	55	46	60	55	1/8"	6,0	4	25	0,25
20	G $\frac{3}{4}$ "	17	103	63	56	62,5	56	1/8"	6,0	8	40	0,35
25	G1"	17	120	75	70	75	70	1/8"	6,0	8	80	0,50
32	G1 $\frac{1}{4}$ "	18	135	98	90	97	77	1/4"	4,5	8	150	0,65
40	G1 $\frac{1}{2}$ "	18	160	111	103	110,5	93	1/4"	4,5	8	300	1,00
50	G2"	24	170	130	120	129	113	1/4"	4,5	12	450	1,50

* Volume = Control volume with closed sleeve

** weight for VMP valves w/stainless steel socket: DN10=0,3 / DN15=0,4kg

Standard adaption:

Internal pipe thread (DIN ISO 228) or NPT, others on request

Body / socket ends***

POM natural white FDA approved
POM black excellent weather resistance
POM conductive for areas at risk of explosion (EX)

***Stainless steel (1.4404) socket end covers available in nominal diameter 10+15mm.

Sleeves:

Natural rubber anti-abrasive, natural rubber food quality, EPDM, nitrile, CSM, butyl, CR (neoprene), others on request.

Technical details subject to change without notice.

AKO UK Ltd

12 Rutherford Way, Drayton Fields Industrial Estate, Daventry, Northamptonshire, NN11 8XW
 Tel: 01327 312 747 • Fax: 01327 312 565 • E-mail: sales@ako-valves.com • Web: www.pinch-valves.com