

Socket Pinch Valve

with female Bsp thread
Type VM/VMF - Pneumatic

New construction VMF type!

50% less air consumption and 30% less weight.

- Size Range 10mm - 50mm (7 sizes available)
- Screwed female BSP, Tri clamp/clover, IDF, RJT
- Flanged PN10/16 40mm to 250mm also in stock (see data sheet PV-VF-01)
- Simple construction
- No mechanical parts
- Clear and true bore - all sizes
- 100% leak tight seal
- New elliptical shaped body - VMF type (uses less air), quick closing
- No actuator is required (reduces costs), operated with solenoid valves
- New re-enforced sleeves
- Easy and low cost maintenance (fitting instructions available on request)
- Best possible prices
- Quick/efficient deliveries from largest UK Pinch Valve stock
- Full technical back up and valve maintenance in house or on site

How it works

The controlling medium of air pressure or water is used between the valve body and the sleeve to give 100% closure (even against large abrasive particles) of the pinch valve (see drawing on back of sheet). Exhausting this pressure causes the valve to immediately open. When open the sleeve allows full, unobstructed flow. The valve is operated via a solenoid/control valve therefore does not need an expensive actuator.

13 Alvis Way, Royal Oak Trading Estate,
Daventry, Northants NN11 5PG.

Tel: 01327 312747

Fax: 01327 312565

e-mail: sales@ako-valves.com

Web: www.ako-valves.com

PVC body with POM sockets type VM:

Sizes 10mm - 50mm

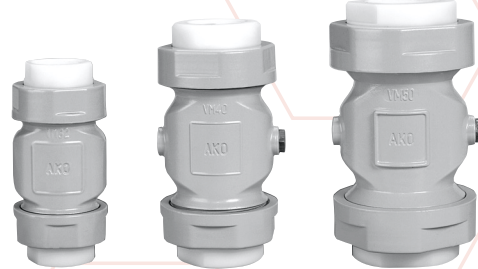


Clear and true bore



Aluminium body with POM sockets new type VMF:

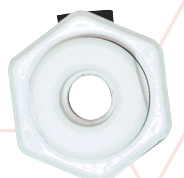
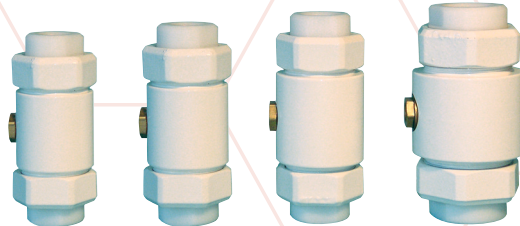
Sizes 32mm, 40mm and 50mm



Clear and true bore

Aluminium body with POM sockets type VM:

Sizes 10mm, 15mm, 20mm and 25mm



Clear and true bore

Various combinations/specials suitable for all industries

Sizes 10mm - 50mm

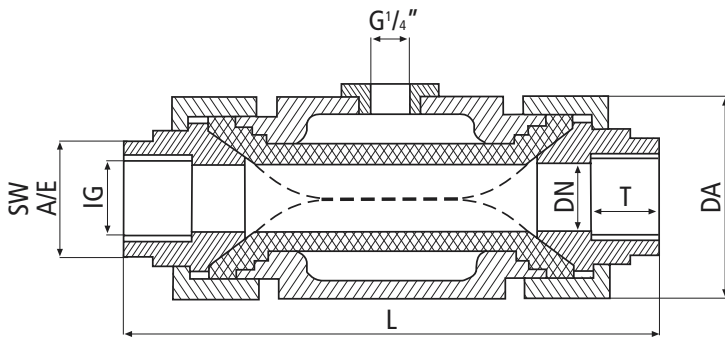


FDA approved sleeves in stock



Valve & Flow Control Technology

AKO Socket Pinch Valve Type VM (10 - 50mm)



DN (mm)	IG (inch)	T (mm)	SW A/E (mm)	L (mm)	DA (mm)	P max. (bar)
10	G ³ / ₈ "	16	24	122	46	6
15	G ¹ / ₂ "	18	36	134	60	6
20	G ³ / ₄ "	19	36	140	60	6
25	G1"	20	46	145	75	6
32	G1 ¹ / ₄ "	25	52	169	85	6
40	G1 ¹ / ₂ "	26	65	200	101	6
50	G2"	24	80	213	120	6

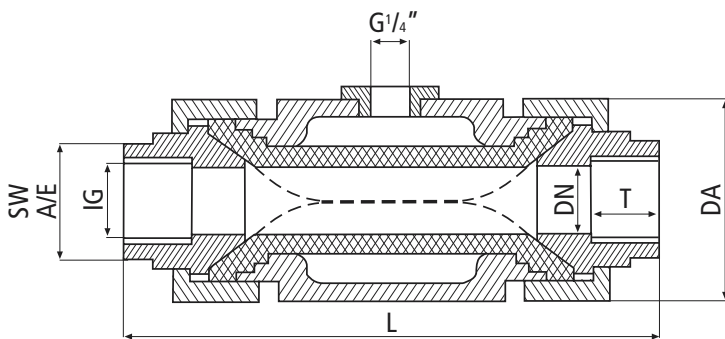
Valve body:

10 - 50mm PVC
 10 - 50mm Stainless Steel
 10 - 25mm Aluminium

Sockets

10 - 50mm Stainless Steel
 10 - 50mm POM
 10 - 50mm PVC

AKO Socket Pinch Valve Type VMF (32 - 50mm)



DN (mm)	IG (inch)	T (mm)	SW A/E (mm)	L (mm)	DA (mm)	P max. (bar)
32	G1 ¹ / ₄ "	25	52	169	85	6
40	G1 ¹ / ₂ "	26	65	200	100	6
50	G2"	24	80	213	120	6

Valve body:

32 - 50mm Aluminium

Sockets

32 - 50mm Stainless Steel
 32 - 50mm POM
 32 - 50mm PVC

Valve body:

Aluminium, PVC or stainless steel.

We will not be held responsible for changes to drawings.

Ends:

Screwed BSP, Tri Clamp/Clover, IDF, RJT. Others available on request, please contact the AKO sales team.

Sleeves:

Natural rubber, natural rubber high temperature, white food quality (FDA approved), EPDM, Viton, Silicon, Nitrile, Neoprene, Hypalon and Butyl.

Accessories:

Solenoid valves, pressure switches, pressure regulators, pressure relief systems, etc. Please contact the AKO sales team for more information.

Industry/Application Examples

Abrasives, Powder handling/bulk, Quarrying, Water, Chemical, Agriculture, Pharmaceutical, Pneumatic conveying equipment, Food, Flour, Sugar, Sand, Foundry Sand etc.

Technical:

Differential pressure for most sleeves = 2.5bars.

AKO UK Ltd: 13 Alvis Way, Royal Oak Trading Estate, Daventry, Northants NN11 5PG.

Tel: 01327 312747 Fax: 01327 312565 e-mail: sales@ako-valves.com Web: www.ako-valves.com



Valve & Flow Control Technology

AKO UK Product Range Also Includes:

Aeration Pads, Pressure Relief Valves, Hand Operated Pinch Valves, Knifegate Valves, Butterfly Valves, Diaphragm Valves and Road Tanker Products.