

# Air operated Pinch Valves

## Type V/VF



### Pinch Valves as shut-off Valves

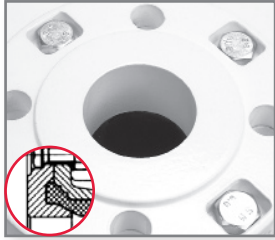
Due to its simple structure, AKO's air operated pinch valve represents a particularly low cost/economic shut-off valve solution, because a separate drive is not required for actuating them.

In fact, only a 3/2-way solenoid valve or pilot valve is needed to control them.

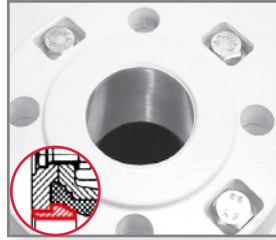
**Pinch Valves comply with PED (97/23/EC)**

# Air operated Pinch Valves with Flange Connection

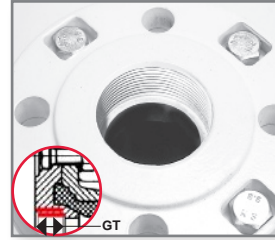
## Flange variations:



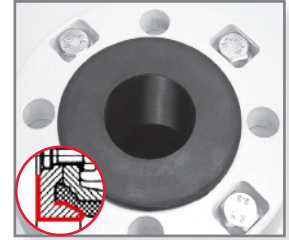
Standard aluminium



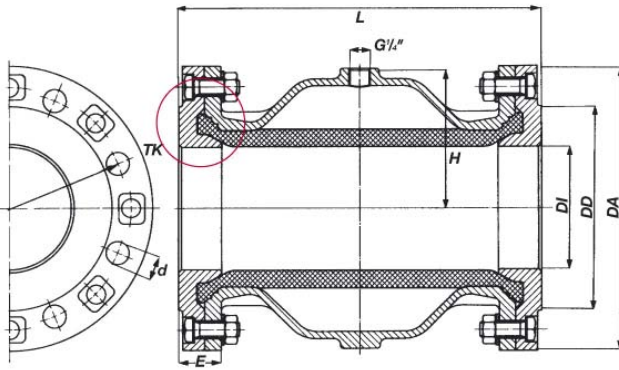
St. steel/steel bushing



Internal thread



With flange sleeve\*\*\*



## Materials:

### Body:

aluminium, stainless steel, steel (DN 250)

### Flanges:

aluminium (alu), alu with stainless steel/steel, alu with internal thread, alu with flange sleeve

DN (mm)	DI (mm)	DA (mm)	DD (mm)	d (mm)	screws	TK (mm)	L (mm)	H (mm)	E (mm)	Weight (kg) Alu-flanges	Volume (l)* (ca. / approx)	PS max. (bar)	Internal thread	GT depth (mm)
40	40	150	88	18	4	110	155	51	28	2,9	0,20	6	G 1½"	19
50	50	165	102	18	4	125	183	60	30	3,7	0,30	6	G 2"	24
65	65	185	122	18	4	145	183	76	28	4,3	0,45	6	G 2½"	22
80	80	200	138	18	8	160	228	90	31	5,6	0,95	6	G 3"	22
100	100	220	158	18	8	180	281	107	35	8,4	1,70	6	G 4"	20
125	118	250	184	18	8	210	350	130	40	12,0	3,50	6	-	-
150	145	285	212	22	8	240	420	155	43	17,0	7,00	6	-	-
200	190	340	268	22	8	295	560	200	60	35,0	15,50	4	-	-
250	250	395	320	22	12	350	610	258	49	84,0 (Stahl)	30,00	2	-	-

\* Volume = Control volume with closed sleeve. Flange connection pursuant to DIN PN 10. ANSI on request.

\*\* Air connection standard G1/4" until DN150mm, DN200-3/8", DN250-1/2".

\*\*\* Flange sleeve sealing increases the Dimension L (DN 40 - 100)

## Sleeves:

Natural rubber antiabrasive, natural rubber foodquality, natural rubber high temp., EPDM, EPDM food black, EPDM food pale, Nitrile, Nitrile food black, Nitrile food pale, Viton, Silicone, (CR) Neoprene, CSM, Butyle

*Pinch Valve Accessories to be found on our data sheet "Z01"-Pinch Valve Accessories.*

Technical details subject to change without notice.

**AKO UK Ltd**

12 Rutherford Way, Drayton Fields Industrial Estate, Daventry, Northamptonshire, NN11 8XW

Tel: 01327 312 747 • Fax: 01327 312 565 • E-mail: sales@ako-valves.com • Web: www.pinch-valves.com